

# Assembly Instructions

## Amara Cantilever Umbrella

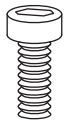
- Before you begin to assemble your new piece of furniture, please check to ensure that all parts have been supplied.
- Follow instructions closely as deviation from them may void your warranty and present a possible safety risk.
- It is recommended that assembly is done on a soft surface like carpet to avoid any damage.
- If you experience any problems with your new purchase please phone our Customer Service Hotline 1800 807 416 (Customers outside Australia should contact their closest Freedom store.)

### Care Information

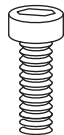
Periodically check and re-tighten any fasteners. Wipe down all surfaces weekly with a clean cloth. Do not clean any surfaces with harsh abrasives or chemicals.

Refer to attached care label for detailed information on upholstery maintenance.  
Store cushions in a dry area during heavy or extended periods of rain.

### Hardware



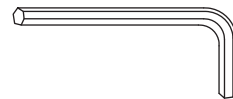
Part A x 4pcs  
M8 x 16mm



Part B x 4pcs  
M8 x 25mm

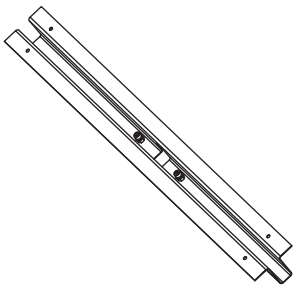


Part C x 8pcs  
M8

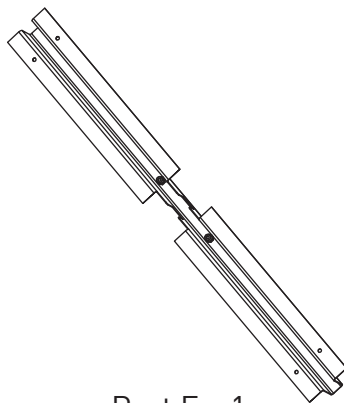


Part D x 1pc  
M6

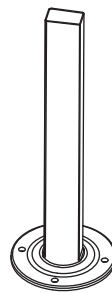
### Parts



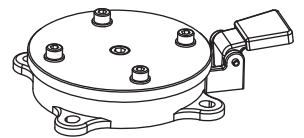
Part E x 1pc



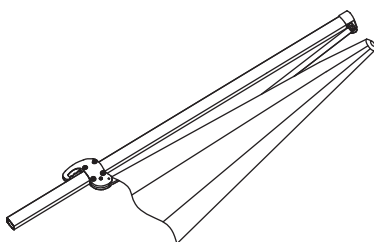
Part F x 1pc



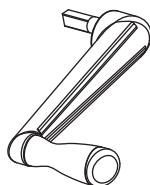
Part G x 1pc



Part H x 1pc



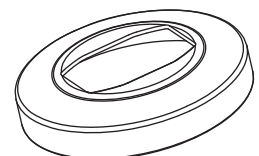
Part I x 1pc



Part J x 1pc



Part K x 1pc

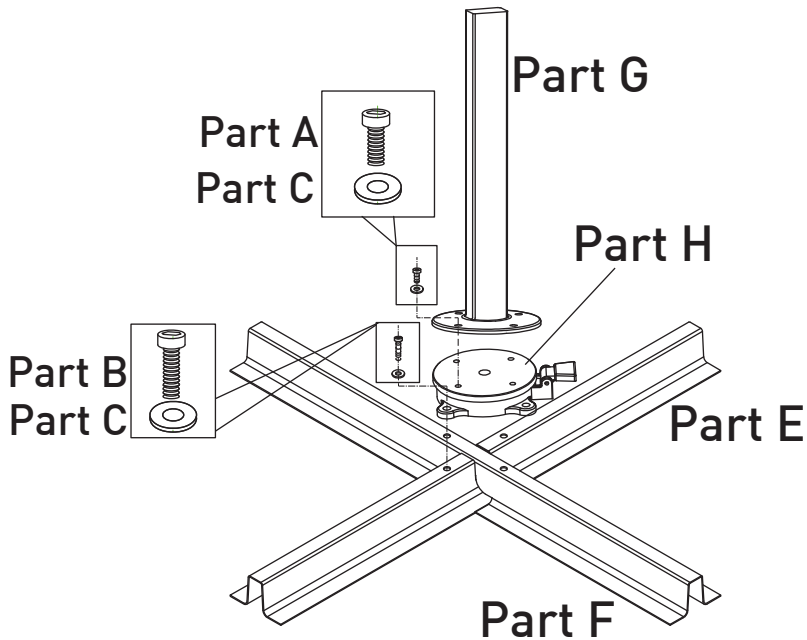


Part L x 1pc

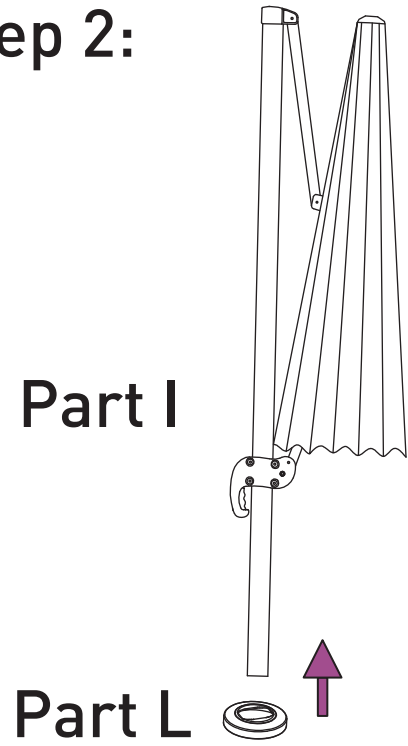
# Assembly Instructions

Amara Cantilever Umbrella

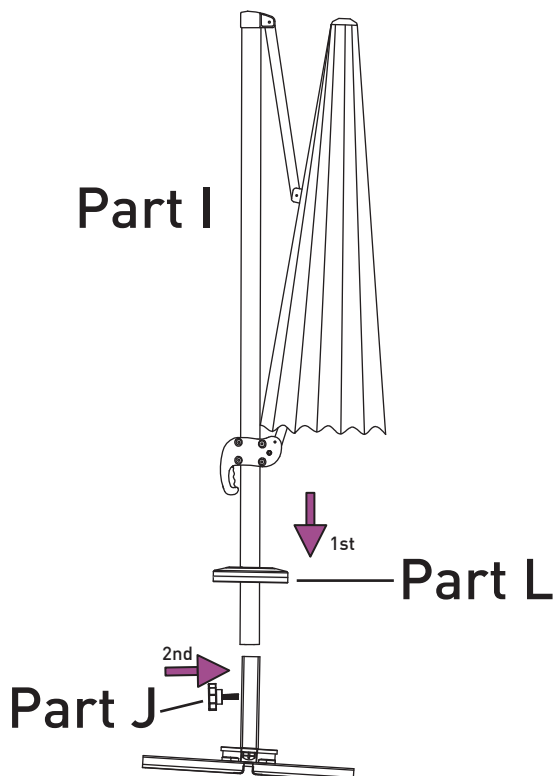
## Step 1:



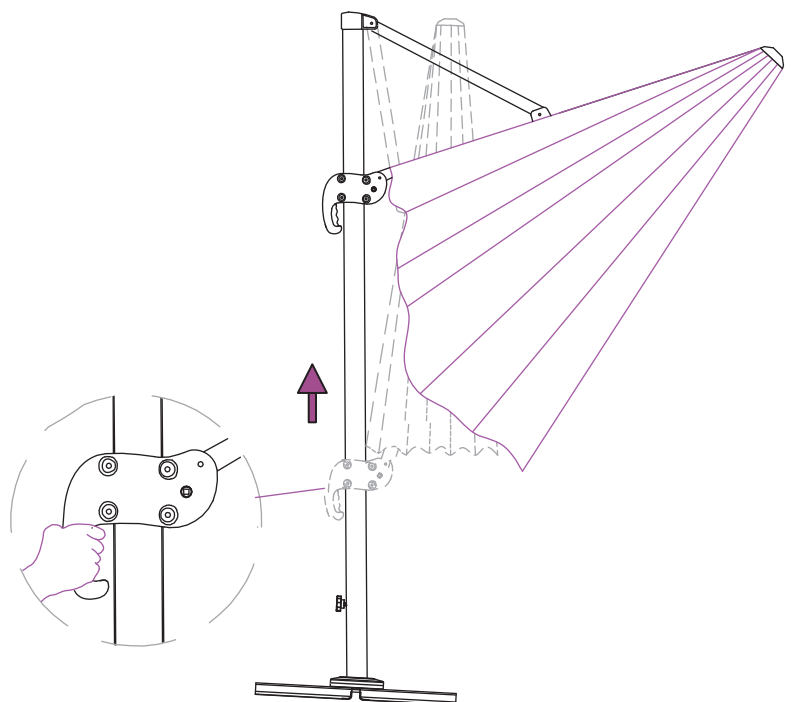
## Step 2:



## Step 3:



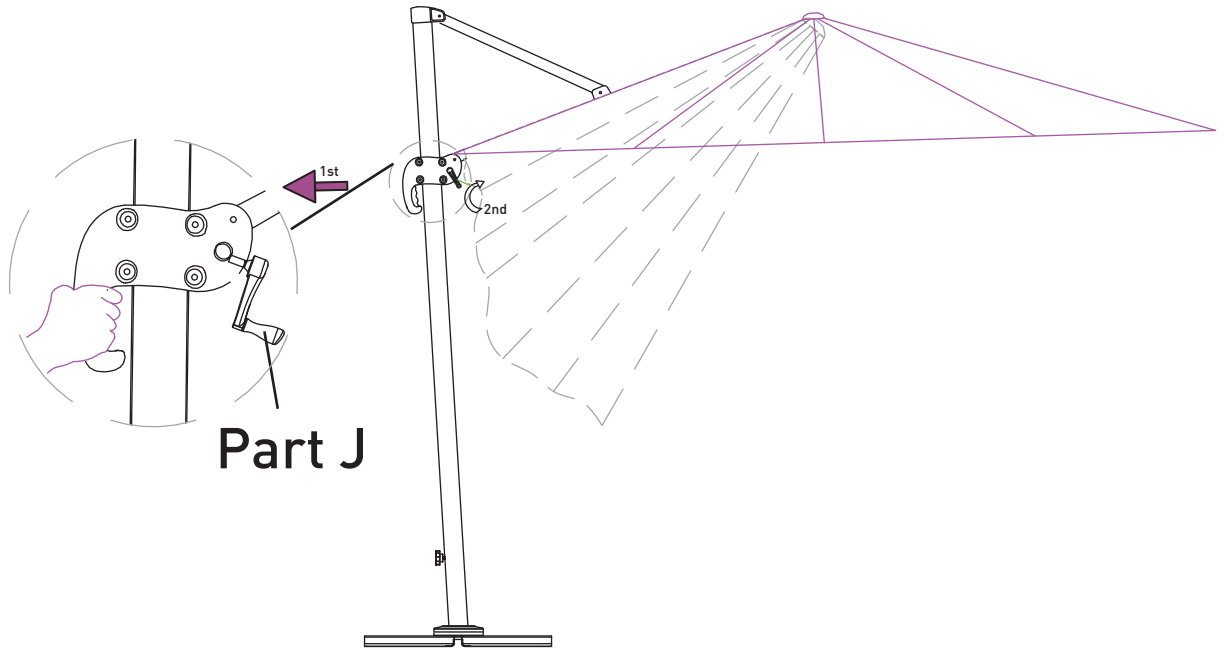
## Step 4:



# Assembly Instructions

Amara Cantilever Umbrella

## Step 5:



## Step 6:

